

PRESSURE REGULATORS

Stainless steel

LHPI 8700 SS

HIGH PRESSURE

OIL & GAS



The Model 8700SS is a single stage high pressure regulator designed to deliver high outlet pressures when used on high pressure cylinders up to 7500 PSIG. The GP 8700SS Model is suitable for:

- High pressure testing
- Charging accumulators
- Pressurizing aircraft struts

APPLICATIONS:

- Pharmaceutical industry;
- Chemical industry;
- Oil & gas and Off Shore applications
- Food industry

FEATURES:

- Particular attention to the low surface roughness, to grant high cleaning standard;
- Compatible for use in aggressive environments;
- Suitable for extreme temperatures (-60°C), critical environments, hazardous applications;
- Suitable to be cleaned and sanitized by the most common processes;

MATERIALS

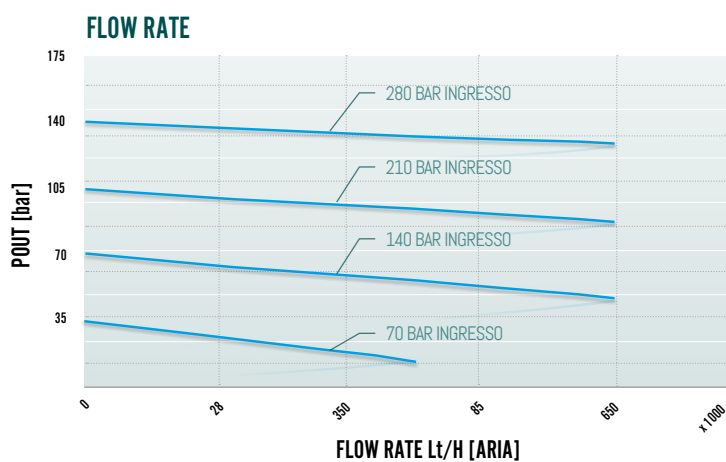
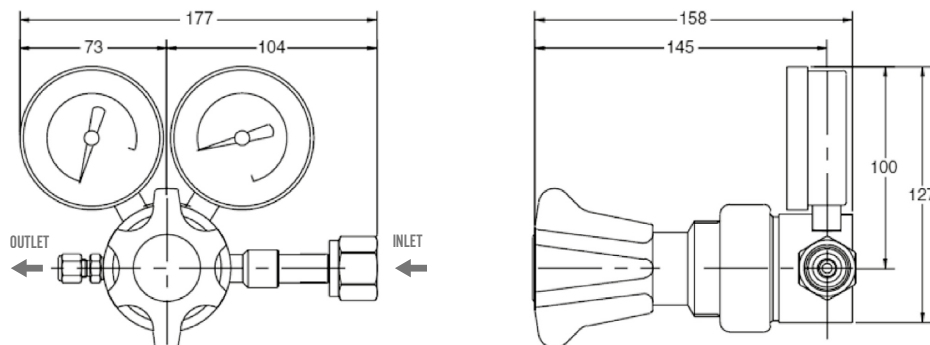
Body	316L stainless steel
Bonnet	Chrome plated brass
Seals	Metallic seals
Diaphragm	Urethane – Neoprene for O2
Internal parts	316L stainless steel
Shutter	PCTFE (kel-F)
Filter	Stainless steel

TECHNICAL DATA

P. max Inlet	520 Bar / 750 Psi
Range outlet pressure	1-200 / 0-300 / 0-400 Bar / 0-2900 / 0-4350 / 0-5800 Psi
Flow rate *)	100 Nm ³ /h
CV	0.08
Connections	1/4" NPT F – 1/4" NPT F
Weight	2,6 kg / 5.7 lb

*) PIN 10bar, POUT 6.3bar, ΔP 1bar

Stainless steel



OPTIONALS :

- Panel Mount
- Inlet connection for cylinder UNI or different
- Flanges (EN1092-1 / ANSI)